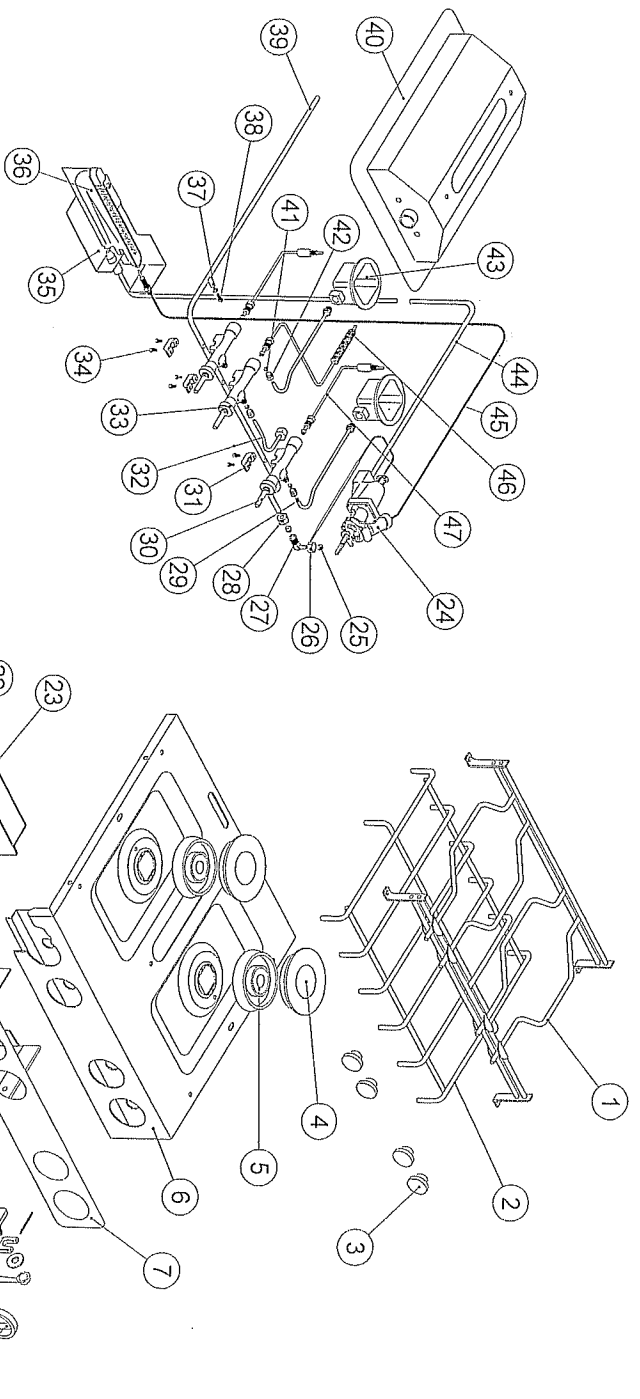


01/03/05

No.	DESCRIPTION	PART No.	No OFF
1	FIDDLE RAIL ASSEMBLY	MAC 0055	1
2	SUPPORT PAN	PCC 0610	1
3	KNOB, STAR BLACK	PCX 0380	4
4	BURNER CROWN & CAP	PCC 0806	4
5	BURNER SUPPORT	PCC 0807	2
6	PRESS. OVRHT/PLT 28GF	MCP 2580	1
7	FASCIA, 28IGOVEN	PCC 1598	1
8	KNOB, CONTROL	PCC 0822	4
9	SIDE, OVEN OUTER	MCO 0757	1
10	GRILL BOX COOKER	MCO 0733	1
11	GRIDDLE, GRILL PAN	PCC 0520	1
12	ASSEMBLY, OVEN INNER	MAO 0119	1
13	ASSEMBLY, OVEN DOOR	MAO 0040	1
14	RESTRAINT, DOOR	MCO 0721	1
15	INSULATION, OVEN BODY	MCO 0550	1
16	SIDE, OVEN OUTER LH	MCO 0738	1
17	BRACKET, MOUNTING	MCC 3065	2
18	WASHER, M10	PCX 0186	2
19	HANDLE, LEVER	MCO 0785	1
20	BRACKET, BOTTOM REAR	PCC 0553	1
21	INSULATION, OVEN BACK	MCC 3060	2
22	BRACKET, COOKER PIVOT	MAO 0133	1
23	ASSEMBLY, FLUE OUTLET	PCC 0451	1
24	TAP, THERMOSTAT	PCC 0735	2
25	OLIVE, 6MM	PCO 0167	1
26	NUT, COMPRESSION	PCC 0173	1
27	FITTING, ELBOW	PCC 0756	1
28	NUT, 6MM	MCC 4603	2
29	PIPE TAP - BURNER	PCC 0718	2
30	TAP, BURN FFD/8MM	PCC 0719	1
31	BRACKET, SADDLE 6MM	MCC 4604	3
32	PIPE TAP - GRILL	PCC 0718	1
33	TAP, GRILL FFD/8MM	PCC 0719	1
34	SCREW, M3x6 POZ	MCO 0805	6
35	BRACKET, BURNER SUPPORT	PCC 0280	1
36	BURNER, OVEN	PCX 0174	1
37	PRESSURE TEST PIECE	PCX 0187	1
38	SCREW, M8x8 HEX HD	MAC 0035	1
39	INLET/MANIFOLD	PCC 0385	3
40	ASSEMBLY, GRILL	PCC 0730	3
41	OLIVE, 6MM	MCO 0785	2
42	NUT, 6MM MALE	MCO 0162	1
43	BURNER, CUP INJECTOR	PCC 0758	2
44	PIPE TAP - OVEN	PCC 0758	2
45	THERMOCOUPLE, 1000MAH	PCC 1155	1
46	THERMOCOUPLE, 320MAH	PCC 1155	1
47	THERMOCOUPLE, 320MAH	PCC 1157	2

NELSON



ALSO SUPPLIED BUT NOT DRAWN

INSTRUCTIONS, USER	PCO 0459	1
SHELF, OVEN	PCC 0287	1
GRILL PAN, LONG	MAC 0046	1
TRIVET, GRILL PAN	PCC 1195	1

