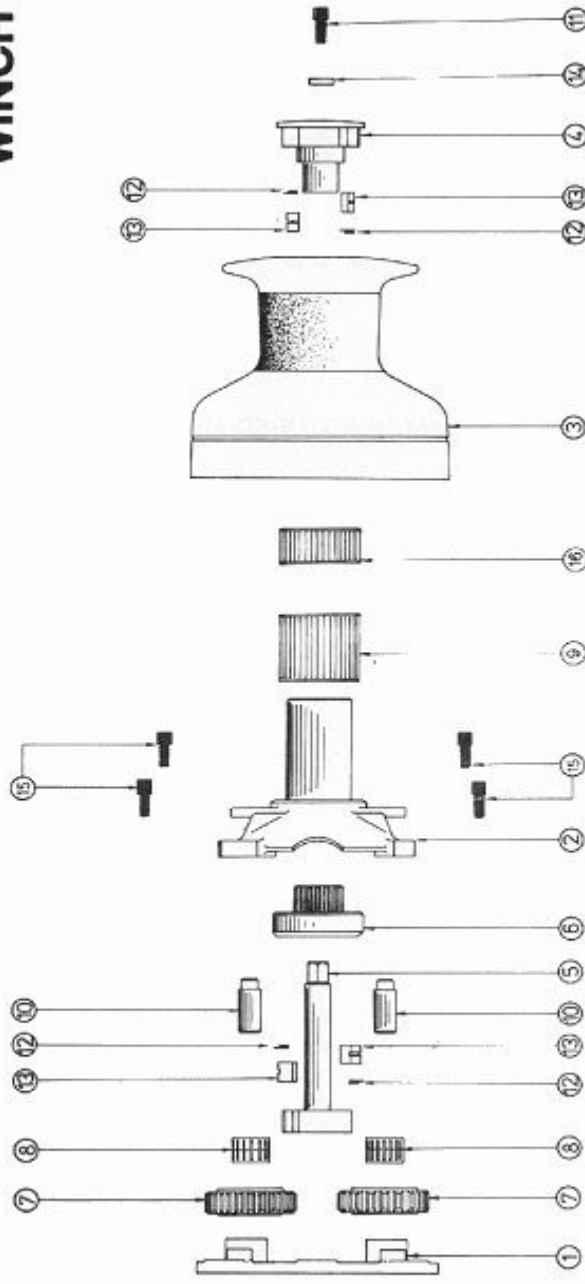
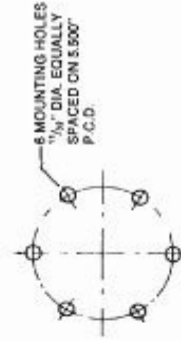
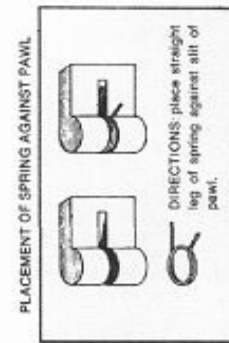
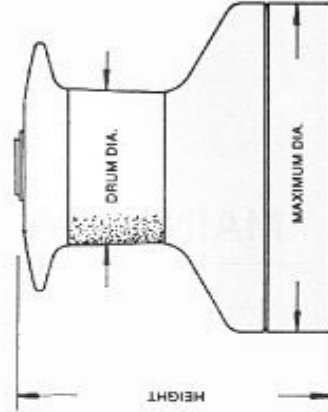


# MAINTENANCE & SERVICE INFORMATION

## MODEL 24 2-SPEED WINCH



	1st	2nd
GEAR RATIO	1:1	6:1
POWER RATIO	6.7:1	40:1
DRUM DIA.	76mm	3"
MAXIMUM DIA.	166mm	6 <sup>9</sup> / <sub>16</sub> "
HEIGHT	152mm	6"



#### MOUNTING INSTRUCTIONS:

1. Using a dismantling handle and a  $\frac{3}{16}$ " Allen key, remove the capscrew (11) and the retaining washer (14) in the top cap (4).
2. Lift the drum (3) and top cap (4) together from the gearbox assy. (2).  
CAUTION: the drum bearings sometimes stick to the drum and may be dropped.
3. Bolt the base (1) to a flat and smooth surface drilled to take six flat head screws or bolts  $\frac{1}{16}$ " (8 mm) dia. on  $5\frac{1}{2}$ " (140 mm) bolt circle dia. Use base (1) as a template. It is not necessary to remove the gearbox (2) from the base (1). Apply only light coat of bedding (sealing) compound to seal the base to the deck.
4. Slide the drum (3) and top cap (11) together over the bearings (9); (16) and gearbox (2).
5. Firmly tighten the capscrew (11) and retaining washer (14) in the top cap (4).

#### TO LUBRICATE & DISASSEMBLE:

##### Note:

It is not necessary to remove the base (1) from the deck to lubricate this winch.

1. Dismantle as step 1 and 2 above.
2. Remove bearings (9); (16) from the gearbox (2) and top cap (4) from drum (3).
3. Remove four capscrews (15) from the gearbox (2) and lift the gearbox (2) from the base (1) leaving the shafts (10) in the base.
4. Remove the idler gears (7) and their bearings (8).
5. Remove mainshaft assy. (5) and center pinion (6) from base (1) and separate them.
6. Remove springs and ratchet pawls from top cap (4) and main shaft (5).
7. Clean all parts in petroleum solvent. Replace any parts showing damage or excessive wear. During the assembly procedure, all gears and bearings should be liberally greased with Barlube — Barlube. The ratchet pawls should be lubricated with machine oil only — NEVER grease the pawls and springs.
8. To assemble winch: reverse dismantling procedure and steps 4; 5 under "mounting instructions".

#### TOOL REQUIRED:

$\frac{3}{16}$ " and  $\frac{1}{4}$ " Allen key, dismantling handle (01-821).

**LUBRICANT:** Non detergent Machine Oil (SAE 30), Barlient Barlube.

#### INSPECTION & LUBRICATION:

Quarterly lubrication is recommended. Inspect more frequently in a racing season. Monthly cleaning and lubrication of the aluminium drum winches is advisable.

Item	Part No.	Description	Qty
1	25-202	Base	1
2	25-003	Gearbox	1
3	24-404A	Drum — Aluminium	1
Alt.	24-404C	Drum — Chrome	1
Alt.	24-404B	Drum — Bronze	1
4	18-405C	Top Cap — Chrome	1
Alt.	18-405B	Top Cap — Bronze	1
5	25-206	Mainshaft Assy.	1
6	25-007	Center Pinion 10T.	1
7	25-008	Idler Gear 28T.	2
8	01-010	Bearing (Bronze)	2
9	00422	Bearing	1
10	01-154	Idler Shaft	2
11	01-205	Cap Screw $\frac{1}{4}$ " unc x $\frac{9}{16}$ "	1
12	01-300	Spring	4
13	01-400	Ratchet Pawl	4
14	01-502	Retaining washer	1
15	01-231	Cap screw $\frac{5}{16}$ " unc x $\frac{3}{4}$ "	4
16	00 414	Bearing	1